

Nova Exceed



NOVA EXCEED

MANUAL







Novaspray Pty Ltd
33 Starr Avenue, North Plympton South Australia 5037
Phone: 61-(08) 8376 4888 Fax: 61-(08) 8376 6311
www.novaspray.com sales@novaspray.com

Thank you for SEIWA "selecting super series." Before using the machine, read this "handling description" carefully to use it safely. Mistaken handling leads machine failure or serious accident. Keep this Manual carefully before operating the machine.

On quality, improve performance, or safety, parts may be change depended on the machines.

If there are some unclear point, please ask to the purchase store or to our company's nearby office.

Signal Indications.

 Dangerous	If suitable prior cautions are not taken, It may cause serious injury or death.
 Caution	If suitable prior cautions are not taken, It may cause serious injury or death.
 Attention	If suitable prior cautions are not taken, it may cause serious damage or injury to the product.
 Attention	Shows important reference and notes.

CAUTION

DANGER

- Paint work in a narrow site using paints (or liquid) inflammable have the danger of explosion or fire. Please use it in a well-ventilated place.
- Do not bring close tobacco, fire lighter, electric discharge from a power supply, sparks grinder work, static electricity etc. since it becomes a source of ignition.
- This machine is non-ant explosion structure. Separate it from the paint spot and do not use it in a place with inflammable explosiveness gas and corrosive gas. Since can cause fire or explosion accidents.

WARNING

- Paints (liquid) spouted in a very high pressure could cause damage the body. If airless gun or paint hose start leaking stop work immediately.
- Never try to stop the leaking with the hand, foot or body.
- When the spray mouth is blocked during work, never look in, or touch it with the fingers.
- When removing dust, carry out them after stopping the machine complete and extracting all the pressure.
- Never pull the trigger of the airless gun toward human body. Be sure to set the safety lock, when removing the nozzle tip or when no using the machine.
- Never pull the paint hose strongly or bend it by force.
- Do not use a crack, bending or crushed hose since it may cause explosion and the paint may blow off.
- Never use the machine when the safety lock is out of order, the trigger does not return, or there is leak from the connection.
- Do not try to take the airless gun apart or to remove the safety device (safety lock and safe guard).
- Bind the connection part tightly to prevent leaking. When leak occurs, stop the machine immediately, open the return tap and lower the pressure.
- When the paint is tarnish by high pressure power, static electricity may occur. To prevent sparks electric discharge and electric shock accident, the paint hose of this machine and the airless gun are grounded. (electric connection) (ground).
- Do not connect earth wire to a gas pipe. It leads to fire by gas, and explosion accident.
- Avoid injection of extra thinner. It is dangerous if ignites.
- Also ground the non-coating materials. Because they may produce static electricity.
- Do not use other paint hose except the exclusive one. Because it may leaks, and lack of pressure and bad connection, may cause burst and poor electric connection.
- Do not remove the cover of the motor, or thrust a stick into the revolving part. Dress and hand might be caught in it.

WARNING

- Do not storage or use the machine in a place with much humidity, steam or wet. It may cause electric shock accident and rust.
- Do not use the machine in a place where direct rays hit, or interrupts the fan wind of the motor. It may cause the motor damage by fire.
- Never use persons who are not concerned or bring close to children. Unexpected accident may caused for mistaken operation and mistaken mischief.
- Do not spray paint directly to this machine, or use it in a place with much garbage dust. It may cause motor heating accident.
- Never use the machine leaned or stood. It may cause trouble with the machine.

MEDICAL DISPOSAL

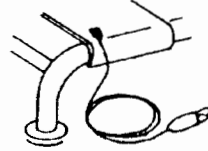
- When the skin is damaged, do not treat it as a slight injury. Immediately receive treatment by a doctor, and explain him exactly which kind of paint material you were using.

1 Cautions (to use it safe)

⚠ POWER SUPPLY USE & CODE CONNECTION CAUTION

- Besides [220V 50V / 60Hz] can not be use as a power supply. Especially when power supply plug is in operation. Use voltage between (220±10V) and around the connection

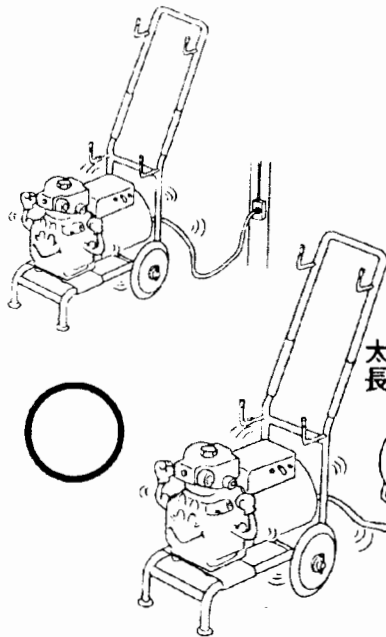
50/60Hz
単相100±10V



アース接続

- Insert the code connection directly to the power supply. (more than 7A power supply fuse) In case you adopt an extended code, avoid combined use with other electric appliances. The extended code must be more than 3.5mm length and less than 30m thick.
- The power supply must be more than 10A.

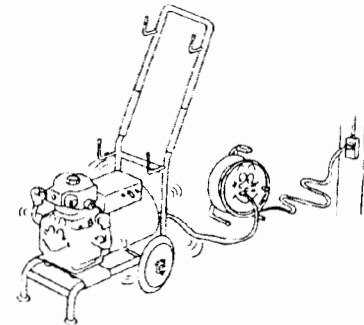
直接元電源に接続



延長コードでの他の機器との併用は避ける



禁止

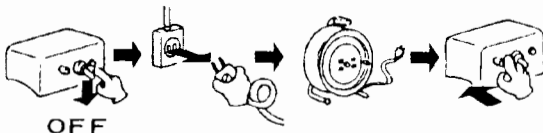


太さ3.5mm²(公称断面積)以上
長さ30m以内

加熱防止のためコード
は全て引き出す

- If forced operation continues, motor-protector works and the motor will stop to protect it from damage-by-fire. This is due to low power supply voltage. To prevent this improve power supply voltage or diminish paint pressure. Push the load protector button after 1 - 2 minutes after turning [OFF] the switch.

過負荷保護機が働いたら...



A → B → C
スイッチOFF コネクトから 電源改善 1-2分たってから
プラグを抜く プラグを挿す リセットボタンを押す

◎ ATTENTION

When re-starting release the pressure knob and after it is in minimum, Turn on the switch. When pressure is left the motor does not start. If load protector still working, please contact to the after-service station or the nearest company office.

2 Specification Table

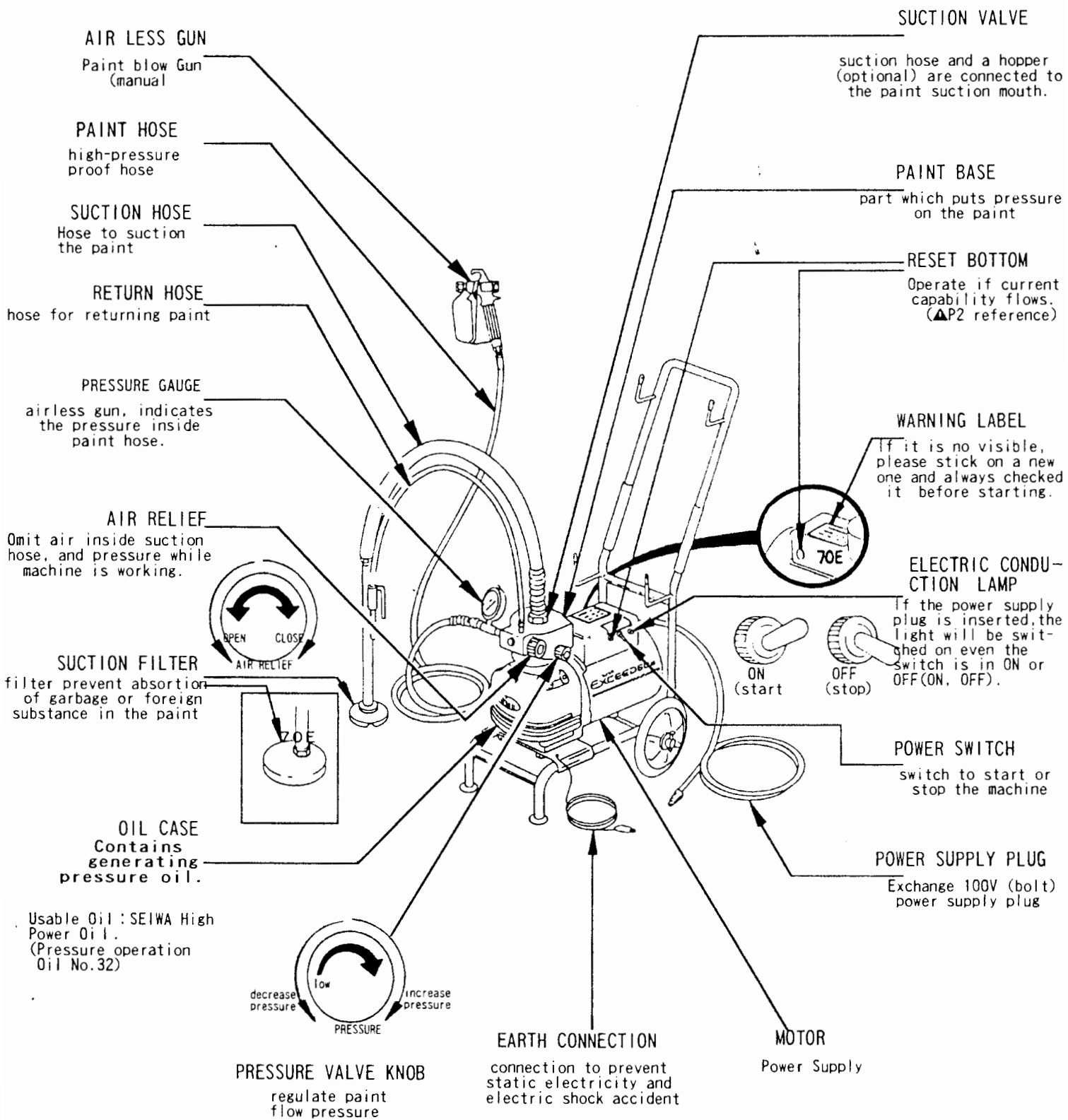
Specification		SP-30E	SP-60L	LSP-60
Power Supply		220V 50/60Hz		
Input (W)		560	1050	
Max. Pressure (Mpa)		2.3 (230Kgf/cm ²)	2.4 (240Kgf/cm ²)	2.4 (240Kgf/cm ²)
Max. Flow outlet (L/min)		3.2	5.9	5.9
Size L × W × H (cm)		45 × 38 × 48 (85)		
Weight (kg)		2.9	3.5	2.8
C O N T E N T S	H Set	Machine · Suction · Return · Pressure gauge · Ground Lied · Beaker · Beaker Holder · Tools		
	B Set	Body Airless Gun (SG24) Turn Clean Tip (1650) Body Set(Turn Clean) Hi Soft Hose(1/4) 20m	Body Airless Gun (SG24) Turn Clean Tip (1650) Body Set(Turn Clean) Hi Soft Hose(1/4) 20m	Body Airless Gun (SG24) Turn Clean Tip (1650) Body Set(Turn Clean) Hi Soft Hose(1/4) 20m
	C Set	Body Airless Gun (SG24) Turn Clean Tip (1650) Body Set(Turn Clean) Hi Soft Hose(1/4) 30m	Body Airless Gun (SG24) Turn Clean Tip (1650) Body Set(Turn Clean) Hi Soft Hose(1/4) 30m	Body Airless Gun (SG24) Turn Clean Tip (1650) Body Set(Turn Clean) Hi Soft Hose(1/4) 30m

Model		SP-70E(1/4)	SP-70E(3/8)
Power Supply		220V 50/60Hz	
Input (W)		1250	
Max. Pressure (Mpa)		2.4 (240Kgf/cm ²)	
Max. Flow outlet (L/min)		7.0	
Size L × W × H (cm)		45 × 38 × 48 (85)	
Weight (kg)		4.2	
C O N T E N T S	H Set	Machine · Suction · Return · Pressure Gauge · Ground Lied · Beaker · Beaker Holder · Tools	
	B Set	Body Airless Gun (SG24) Turn Clean Tip (160) Body Set(Turn Clean) Hi Soft Hose (1/4) 20m Deformed joint 3/8×1/4	Body Airless Gun (SG24B) Turn Clean Tip (2350) Body Set(Turn clean) Blue Hose (3/8)20m
	C Set	Body Airless Gun (SG24) Turn Clean Tip (1650) Body Set(Turn Clean) Hi Soft Hose (1/4) 30m Deformed Hose 3/8×1/4	Body Airless Gun (SG24B) Turn Clean Tip (2350) Body Set(Turn Clean) Blue Hose (3/8) 30m

2 Specification Table

Specification		SP-40	SP-50
Power Supply		220V 50/60Hz	
Input (W)		800	1050
Max. Pressure (Mpa)		2.4 (240Kgf/cm ²)	
Max. Flow outlet (L/min)		3.3	3.8
Size L × W × H (cm)		45 × 38 × 48 (85)	
Weight (kg)		3.5	3.5
C O N T E N T S	H Set	Machine · Suction · Return · Pressure gauge · Ground Lied · Beaker · Beaker Holder · Tools	
	B Set	Body Airless Gun (SG24) Turn Clean Tip (1650) Body Set(Turn Clean) Hi Soft Hose (1/4)20m	Body Airless Gun (SG24) Turn Clean Tip (1650) Body Set(Turn Clean) Hi Soft Hose(1/4) 20m
	C Set	Body Airless Gun (SG24) Turn Clean Tip (1650) Body Set(Turn Clean) Blue Hose(1/4) 30m	Body Airless Gun (SG24) Turn Clean Tip (1650) Body Set(Turn Clean) Blue Hose(1/4) 30m

3 Each part name * Function * Basic Operation



4 Manual

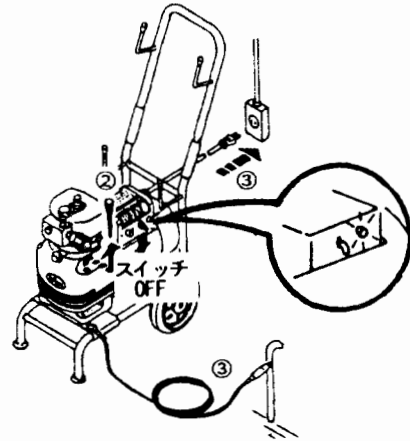
4-1 Preparation

- ① Attach completely, Paint Hose, Return Hose, Airless Gun, Tip Nozzle parts respectively.

◎ Attention

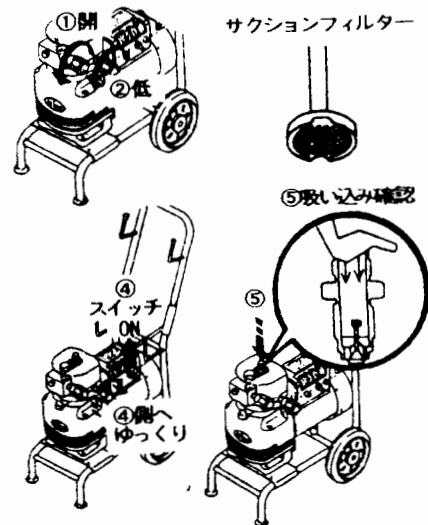
Do not attach yet the Suction Hose

- ② Check if Oil Cage is inside.
- ③ After checking the [OFF] bottom, connect the ground. Please insert the power supply plug in single phase 100V power supply. The plug lights up at this time.



4-2 TO START

- ① Check if the air relief knob is full opened.
- ② Check if the pressure knob is full turned to low.
- ③ Check if the suction filter is not stuck.
- ④ Turned [ON] the switch and after the motor has started turn the pressure knob slowly to [high] .
- ⑤ With the hand check if there is some suction in the suction mouth.



◎ Attention

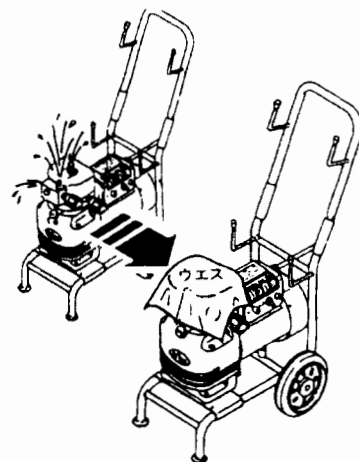
◆No suction power?

Pour thinner in the suction valve, and priming water. Push the suction trigger and remove the adherence.

◆Still no operation sound?

In many cases air is accumulated in the oil pressure course. Turn the pressure knob to [low] side and after the motor started working for (1 - 2 minutes) turn the knob to [high] slowly.

※Since priming water, such thinner, may splash to the face or clothe. Cover the outlet exit with a cloth etc.



4 Operating Manual

4-4 Interruption - Stop

- ① Turn the pressure knob to {low} side.
- ② Turn the air relief valve to {open} side.
- ③ Turn to [OFF] the motor switch.

4-5 Wash - End - Maintenance

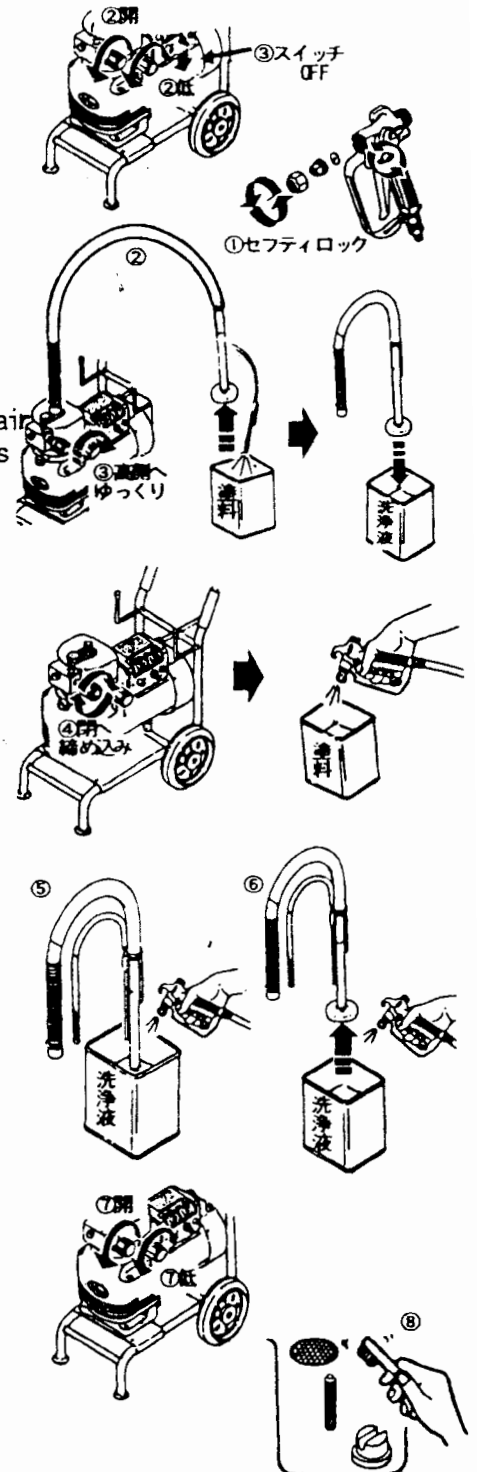
- ① Close the safety lock and take the nozzle tip off.
- ② After checking that the air relief knob and the pressure knob are {opened} pull up the paint hose and start the motor.
- ③ Turn slowly the pressure knob to {high} and when paint starts going out put the suction hose into the washing solution.
- ④ If washing liquid comes out from the return hose, fasten the air relief knob to the [close] side, pull the trigger from airless gun and turn off the water inside the hose.

- Washing liquid is thinner suitable for paint as water etc.
.Oil paint → thinner
.Water paint → water
- To avoid scatter water or paint do not raise too much the pressure.

- ⑤ When washing liquid comes out from the tip of the gun, let the washing liquid circulated for a while, to clean inside the paint hose.
- ⑥ Pull up the suction hose from the washing liquid, and take it off from the paint hose through the air less gun.
- ⑦ Turn air relief knob to the {open} side and pull the return hose up from the washing liquid, then turn the pressure knob to {low} to finished.
- ⑧ Take the suction filter out, together with gun filter, nozzle, and wash and remove garbage or paint.

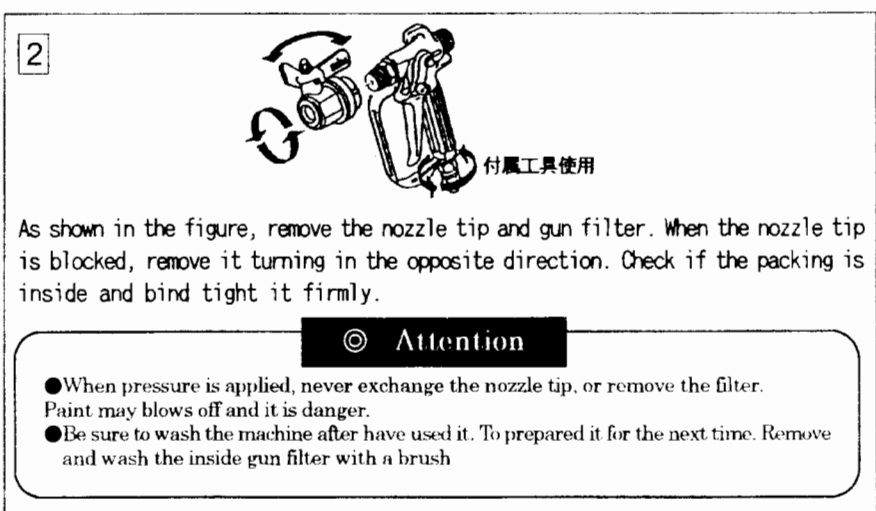
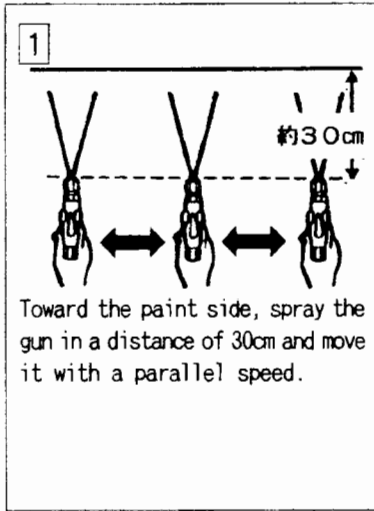
© Attention

- When do not use the machine for a long time, extract completely the washing liquid and to prevent adherence filled up the suction valve with anticorrosive oil.
- Do not pour residue paint or washing liquid in rivers, sewers, etc.



4 Manual Operation

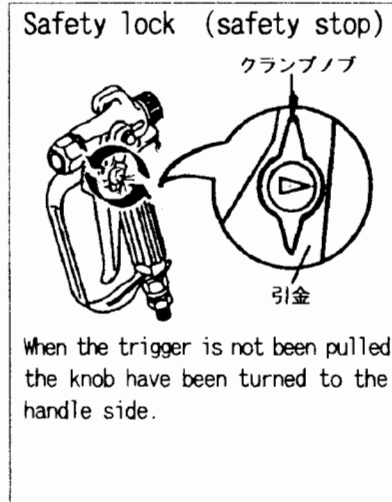
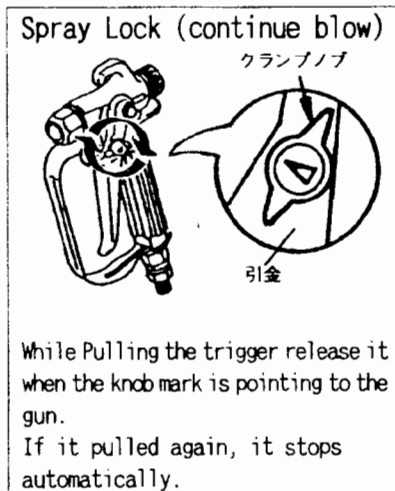
4-6 Airless Gun Operation



◎ Attention

- When pressure is applied, never exchange the nozzle tip, or remove the filter. Paint may blow off and it is danger.
- Be sure to wash the machine after have used it. To prepared it for the next time. Remove and wash the inside gun filter with a brush

4-7 Clamp knob



◎ Attention

- When the machine is not been used be sure to close the safety lock.
- When the machine is not been used, to prevent adherence washed it, or lubricated it.

4-8 Nozzle Tip and Gun Filter

Tip Inch (mm)	filter(1) Mesh/Ring/color	Suitable paints(2)
Less than 0.013(0.33)	※200/red	Lacquer、Urethan、Phthalic acid、Melamine、Synthetic Resin dispensed paints.
More than 0.013(0.33) Less than 0.018(0.46)	100/yellow	General rust-preventive paints、Sealer、Vinyl chloride.
More than 0.018(0.46) Less than 0.026(0.66)	60/white	Tar epoxy paints、First coat compounding for airless、Alcohol inorganic Zinc.
More than 0.026(0.66)	※40/green	Tar epoxy pressure paints, High viscosity paints.
More than 0.031(0.79)	-	Elastic Tile、Filler、Aluminize、Anti-exposure paints, Solubly inorganic Zinc.

(1) Gun Filter specifications

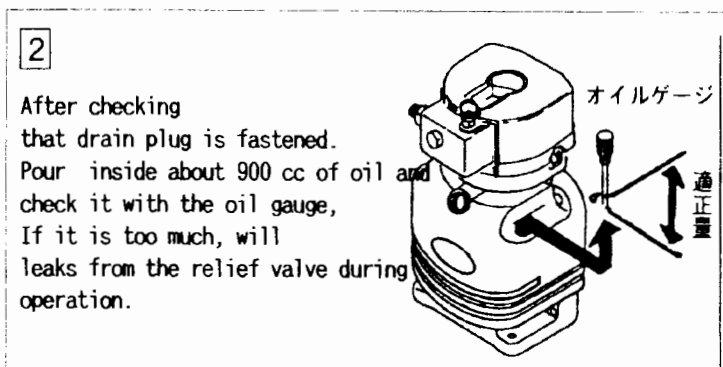
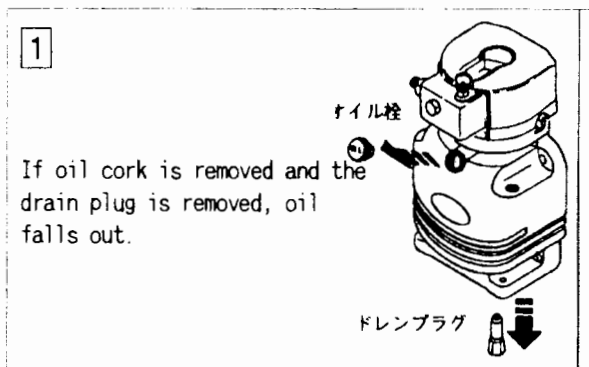
SG24・・・mesh 60 & 100. SG24B・・・mesh 40 & 60.

(2) Note that above information is not available to all types of Super Series.

5 CONSERVATION - CHECK

5-1 Oil Change

Change the oil periodically. First time after using 100 hours, from next time every 200 hours.

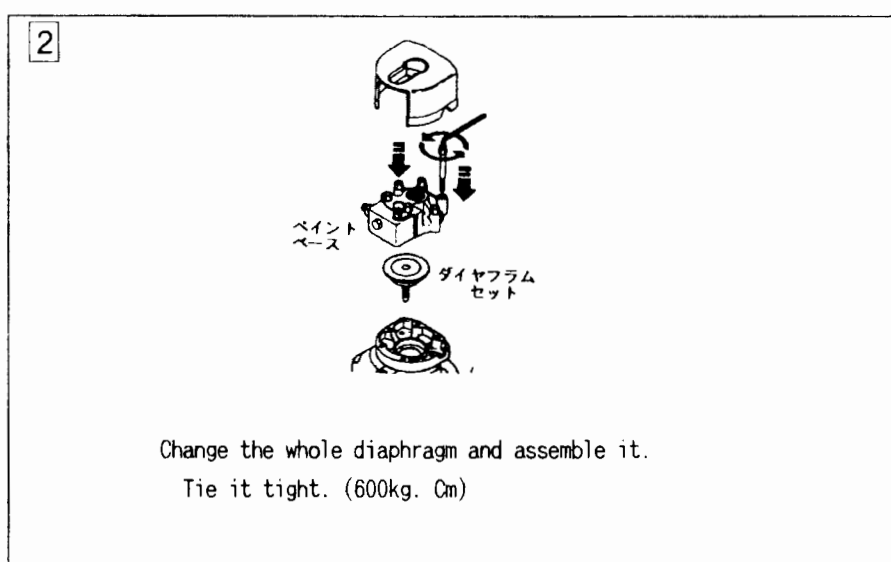
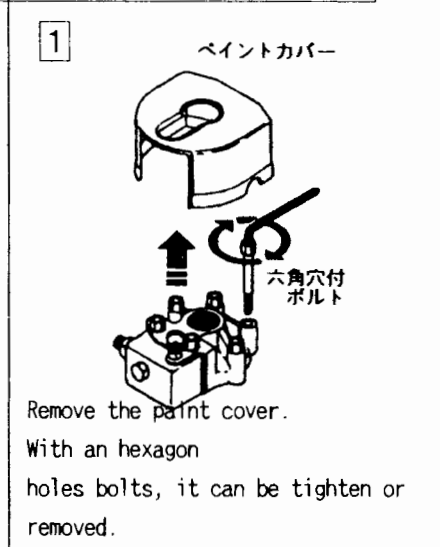


◎ Caution

- Take the used oil to a nearby gas station. Do not waste it in rivers, or sewer, etc
- You can use SEIWA's pure [high power oil]. Do not use others except pure oil. High temperature may cause the failure of the machine and the product's life might shortened.

5-2 Diaphragm replace

Exchange periodically the diaphragm. After using it one year or 500 hours of operation.



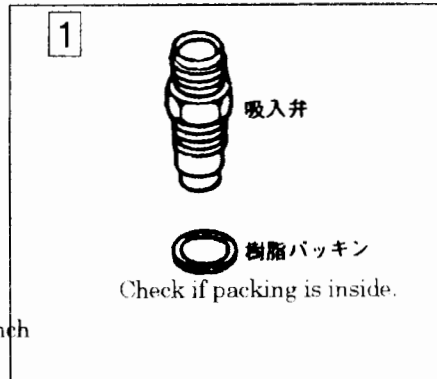
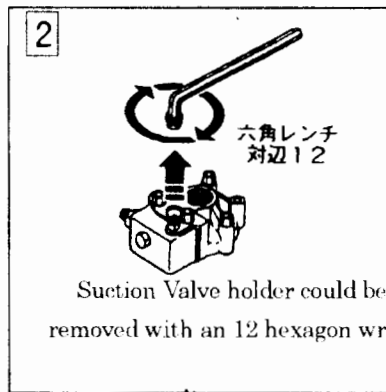
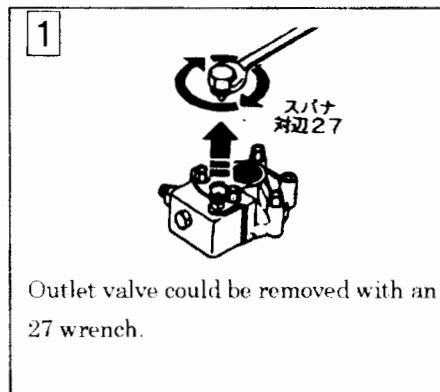
5-3 Outlet valve replace

When particles or aggregate are contained in the paint, valve relief may worn out

5-4 Suction Valve exchange

As the outlet valve it may worn out because of the paint.

Changed it with suction valve set.



6 Troubles (Motor)

To take suitable measures it is important to discover failures as soon as possible. To deal with them read the next table reference. When repair is impossible, contact the office or purchase store.

	Trouble	Cause	Repair
Does Not work	Lamp does not light up.	Plug is not connected. Electricity is not coming. Code Disconnection. Defect of lamp.	Connect the plug. Power supply switch. Fuse check. Replace code. Replace Lamp.
	No sound.	Overloading device.	Open the air relief valve. After Turning (OFF) the switch, press reset bottom.
	Roar sound.	Pressure left in the Paint. Condenser Wear and damage in pump rotation.	Open the air relief valve. Factory repair. Factory repair.
It Works but..	Unusual sound	Damage, wear, and friction in the rotation.	Factory repair.
	If you overload It.	The number of rotations falls extremely. It stops. Current is too high.	Low electric pressure · Electric pressure is extremely low. Set the electric pressure to AC100V. Try with a thick code. Stop using extension code. Lower the standard pressure. Use a suitable nozzle.

6 Troubles (Pump)

Problem	Cause	Remedy
No suction	You are not using the air relief valve. Suction valve or outlet valve is stuck. Pressure knob is loose in (low) side. Air is accumulated in the oil pressure system. The amount of oil is insufficient.	Perform air omission operation. Perform pump priming, poke the suction valve with a stick, and remove adherence. Turn a little the pressure knob to (high) side. Check reference in P6 for air relief. Pour inside regular quantity.
Has absorption although there is no suction.	Suction Filter is stuck. Air is left inside the suction hose. There is no paint suction to the hose. Paint viscosity is too high.	Clean. Tight it strong. Pour it inside the Paint. Reduce the viscosity.
Paint does not flow out.	Suction filter is stuck. Nozzle tip is stuck.	Clean or remove stuck. Clean.
Pressure is low.	Air relief valve is loose. Pressure knob is not adjusted.	Tight it strong. Turn the pressure knob to the (high) side.

<p>Pressure is unstable.</p>	<p>Damage in suction valve or outlet valve. Damage in Diaphragm. Piston Cylinder is worn out. Oil passage stuck. Damage in suction Hose. Air is inhaled from the suction mouth. No oil. Paint passage stuck.</p>	<p>Replace. Replace. Replace. Take it apart · Clean. Replace. Bind it tight. Pour in the regulated amount. Remove grounds.</p>
<p>Oil is floating in sprayed wall · Oil becomes muddy with paint.</p>	<p>Diaphragm cracks.</p>	<p>Clean or change oil and Diaphragm.</p>

7 Table of Paint Nozzle Tip

V I S C O S I T Y	Paint	Suitable Nozzle caliber. (Inch)	Most usable nozzle types					
			Airless Tip	Change clean	Rotary Tip	Turn clean	New lot clean	Free Pattern
L O W	Lacquer.	0.009	○	○	○			
	Phthalic acid resin paints.	~	○	○	○			
	Melamine.	0.013	○	○	○			020
	Acrylic etc.		○	○	○			
M I D D L E	Paints for construction.		○	○	○	○	○	
	Top coat · Sealer.		○	○	○	○	○	
	General rust-prevent paints.	0.015	○	○	○	○	○	
	Diachylum rust-prevent paints.	~	○	○	○	○	○	
	Solubly paints.	0.018	○	○	○	○	○	028
	Oiliness paints.		○	○	○	○	○	
	Composition resin compounded paints, etc.		○	○	○	○	○	
H I G H	Diachylum rust-prevent paints.		○	○	○	○		
	Ship' s bottom paints.		○	○	○	○		
	Vinyl chloride rubber.	0.021	○	○	○	○		028
	Acrylic filler (for airless)	~		○	○	○		or
	Tar epoxy resin paints < general >	0.023		○	○	○		041
	Mono-layer elastic paints, etc.			○	○	○		
	Acrylic filler (for airless)	0.023		○	○	○		
	Mono-layer elastic paints, etc.	~		○	○	○		041
	Zinc rich paints, etc.	0.031		○	○	○		
	Rust-prevention paints for roofs <Aluminize>	0.036				○		
	High viscosity paints.	~				○		
	Double-layer elastic paints for base coating, etc.	0.051				○		049

© Caution

*According to the length, degree scale paint, and hose, use the selection table as a standard.

*Please select an adaptation nozzle caliber suitable for the model.